

[TopPage](#)>>[Search Result](#)>>7306DB

# Angular Contact Ball Bearings

Bearing No. : **NACHI 7306DB**

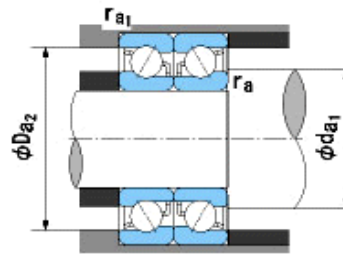
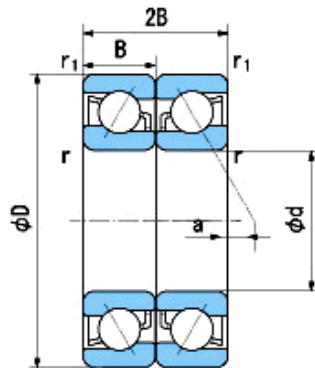
■ Bearing Type

■ Clearance

■ Tolerance Class

### Dimensions

d = 30<sup>0</sup><sub>-0.010</sub>  
 D = 72<sup>0</sup><sub>-0.013</sub>  
 B = 19<sup>0</sup><sub>0.000</sub>  
 r = 1.1~2  
 (Radial Direction)  
 r = 1.1~3.5  
 (Axial Direction)  
 r1 = 0.6~1  
 (Radial Direction)  
 r1 = 0.6~2  
 (Axial Direction)  
 a = 5.2



### Dimensions

da1(min) = 37  
 da2(min) = 35  
 Da1(max) = 65  
 Da2(max) = 67  
 ra(max) = 1  
 ra1(max) = 0.6  
 Mass = 0.72 kg

Basic Dynamic Load Rating Cr : **54,500** N  
 Basic Static Load Rating Cor : **44,500** N  
 Limiting Speed ;  
 Grease Lubrication : **7,000** min<sup>-1</sup>  
 Oil Lubrication : **9,500** min<sup>-1</sup>

	INNER RING	OUTER RING
O.D.Surface Runout with Side :		-
Axial Runout with Bore :	-	
Axial Runout with Raceway :	-	
Width Variation :	<b>0.020</b>	<b>0.020</b>
Radial Runout :	<b>0.013</b>	<b>0.025</b>